

# FT-270R/RH OPERATING MANUAL



**YAESU MUSEN CO., LTD.**  
**C.P.O. BOX 1500**  
**TOKYO, JAPAN**

E3990184(8411-Q)

## CONTENTS

General Description . . . . .	1
Specifications . . . . .	2
Supplied Accessories and Options . . . . .	3
Controls, Switches and Connectors . . . . .	4
Installation:	
Antenna Considerations . . . . .	10
Mobile Installation . . . . .	10
Base Station Installation . . . . .	13
FTS-8 Tone Squelch Unit Installation . . . . .	14
FVS-1 Voice Synthesizer Unit Installation . . . . .	16
Operation:	
Initializing and Basic Checkout . . . . .	18
General Operating Features	
(1) VFO Selection . . . . .	19
(2) Frequency Selection . . . . .	19
(3) Single-Frequency Memory Storage . . . . .	20
(4) Storage of Transmit Frequencies . . . . .	21
(5) Memory Erasure . . . . .	21
(6) Memory Selection and Recall . . . . .	22
(7) Frequency Scanning with a VFO . . . . .	22
(8) Memory Scanning . . . . .	23
(9) Programmable Memory Scan (PMS) . . . . .	24
(10) Priority Channel Monitoring . . . . .	25
(11) Tone Squelch (CTCSS) Functions . . . . .	26
(12) Voice Synthesizer FVS-1 . . . . .	28
Memory Backup Information . . . . .	28

## YAESU FT-270R/RH COMPACT SYNTHESIZED 2m FM MOBILE TRANSCEIVER

The FT-270R is a compact synthesized FM transceiver for the 2m amateur band. A die-cast aluminum "duct-flow" heatsink serves as the chassis of the transceiver, allowing the tiny FT-270R to provide 25 watts RF output with ease, or 45 watts from the FT-270RH, which includes a miniature cooling fan. The die-cast chassis also provides optimum circuit shielding for clean performance. Low power is switch selectable from the front panel, providing 3 watts or 5 watts ("H" version) output.

Two 4-bit CPUs provide simple and convenient control of 10 memory channels (8 with independent transmit and receive frequencies), and dual VFOs with lithium cell backup. Convenient tuning and scanning features include Yaesu's "PMS" (programmable memory scan) system, which permits scanning (or skip-scanning) between two memory channels, a MHz stepping button, and priority channel checking while operating on another frequency. A choice of two scan resume modes is provided, for timed scan halt, or auto-resume on carrier drop.

The independently programmable transmit and receive frequencies (as well as automatically programmable standard shifts) plus one-touch reverse allow the operator total freedom in all kinds of repeater operation. A burst tone generator is built-in, and when the optional FTS-8 Tone Squelch Unit is installed, any of 37 standard CTCSS (subaudible) tone frequencies can be displayed, selected and programmed into the memories channels for either silent monitoring or encode-only operation.

The comfortable green-lit LCD display is especially easy on the eyes, and shows the complete operating status of the transceiver, including memory and call channel selection and the CTCSS mode and tone frequency (if FTS-8 installed). A ten step two-color LED bar PO/S-meter indicates relative power output or received signal strength.

A deluxe scanning microphone is supplied with the FT-270R (US version includes DTMF pad). A "speak" button is provided on the microphone to activate Yaesu's own (optional) Voice Synthesizer Unit, which gives you the operating frequency, selected VFO and CTCSS frequency (if FTS-8 installed), so you can keep your eyes on the road.

## SPECIFICATIONS

### GENERAL

Frequency range per local requirements (see Model Chart)  
 Channel steps (see Model Chart)  
 Mode F3 (F3E)  
 Antenna impedance 50 ohms, unbalanced  
 Supply voltage 13.8 VDC  $\pm 15\%$   
 Supply current FT-270R: 6A @25W TX, 2.5A @3W TX  
 FT-270RH: 9A @45W TX, 3.5A @5W TX  
 both types 0.6A RX (stby)  
 Oper. temp range -10 to +60 degrees Centigrade  
 Case Size 140(W) x 40(H) x 162(D) mm  
 Weight Approx. 1.2 kg

### RECEIVER

Circuit type Double conversion superheterodyne  
 First IF 21.6 MHz  
 Second IF 455 kHz  
 Sensitivity 0.2uV for 12dB SINAD; 1uV for 30dB S+N/N  
 Selectivity 14 kHz (-6dB), 28kHz (-60dB)  
 Image rejection 60dB or better  
 Audio Output 2W into 8 ohms for 10% THD, or better  
 Ext Spkr imped. 4 to 16 ohms

### TRANSMITTER

RF output FT-270R: 25W/3W selectable  
 FT-270RH: 45W/5W "  
 Modulation Variable reactance  
 Deviation  $\pm 5$  kHz  
 Maximum bandwidth 16 kHz  
 Spurious emissions -60 dB or better  
 Stability  $\pm 10$ ppm (-5 to +50 C)  
 Microphone imped. 600 ohms

Specifications subject to change without notice.

FT-270R/RH Model Chart

Type	Freq. Coverage (MHz)	Channel Steps (kHz)	Rptr Shift (MHz)	Tone Burst (Hz)
A	144-148	5/10	$\pm 0.6$	1800
B	144-146	12.5/25	$\pm 0.6$	1750
C	144-148	12.5/25	$\pm 0.6$	1750
D	144-146	5/10	$\pm 0.6$	1750
E	144-148	5/10	$\pm 0.6$	1750

## SUPPLIED ACCESSORIES

**MMB-26** Mobile Mounting Bracket  
**MH-14A8** Scanning Hand Microphone (**MH-15A8** w/DTMF for USA)  
**STAND-1** Wire Stand for desktop operation  
 Fused DC Power Cord  
 Spare fuse (10A)

## OPTIONS

**FTS-8** Tone Squelch Unit  
**FVS-1** Voice Synthesizer Unit (English)  
**SP-55** External Speaker  
**MH-14B8** Scanning Hand Speaker/Microphone  
**MH-15A8** Scanning Hand Microphone w/DTMF keypad  
**MF-1A3B** Boom Microphone with flexible arm  
**YH-1** Headset (w/microphone)  
**SB-10** PTT Switch Unit for use with MF-1A3B and YH-1

**Note:** certain options may be included as standard accessories according to local needs or popularity.



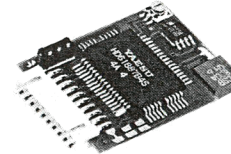
FTS-8



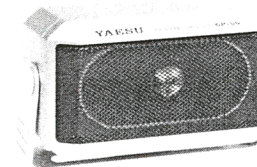
YH-1



MH-14 A8  
MH-14 B8  
MH-15 A8



FVS-1



SP-55

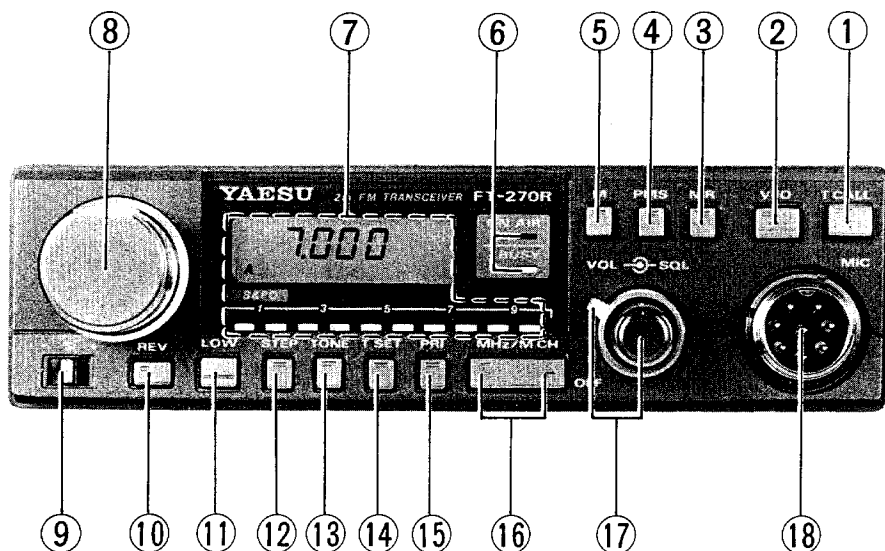


SB-10



YH-1

## CONTROLS, SWITCHES AND CONNECTORS



### (1) T CALL

Pressing this button transmits the 1750 or 1800 Hz Burst Tone, for accessing repeaters requiring such a tone. The tone is transmitted for as long as the button is depressed.

### (2) VFO

When in the memory mode, pressing this button selects VFO operation (on the last selected VFO, A or B). When this button is pressed while already in the VFO mode, the alternate VFO is selected. The **A**, **B** or **M** indications on the display show the current state of the transceiver so the action of this button can be determined in advance.

### (3) MR

Pressing this button (Memory Recall) selects the memory mode, in which operation is on the memories. However, this button is also used for erasing memory data, so the procedures in the "Operation" section should be read carefully. As with the VFO button, the **A**, **B** or **M** indications on the display allow the action of this button to be determined before you press it.

### (4) PMS

This momentary switch activates the PMS (Programmable Memory Scan) function, described in detail in the "Operation" section.

### (5) M (Memorize)

This button is used for writing the displayed VFO frequency into the selected memory channel, and also for masking and unmasking selected channels from memory scanning. It has up to three sequential levels of operation which are described in the "Operation" section.

### (6) LED Indicator Lamps

#### ON AIR

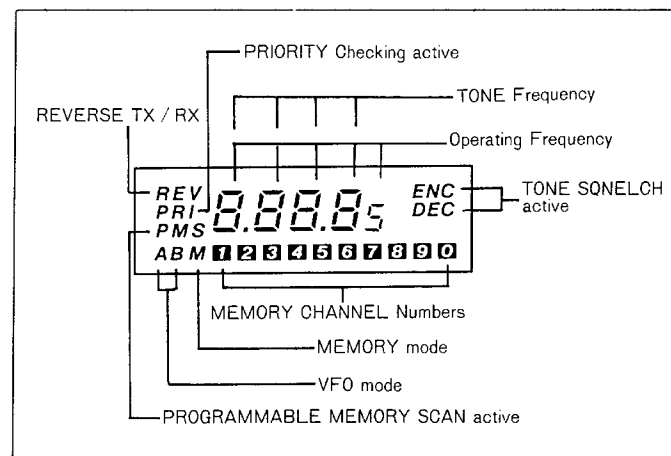
This (red) lamp is lit whenever the transmitter is active.

#### BUSY

This (green) lamp is lit whenever the main receiver squelch is open. When the optional FTS-8 Tone Squelch Unit is used in the encode/decode mode, this lamp indicates whether the frequency is occupied, even though the receiver audio may be quieted by the tone squelch.

### (7) LCD (Display) and LED Bar Meter

The LCD indicates the operating frequency and functions as shown in the diagram below. Just below the LCD is the PO/S LED bar meter, which gives a relative indication of actual power output during transmission, and relative incoming signal strength during reception.



**(8) Main Dial**

This detented knob selects the operating frequency of the selected VFO. If the transceiver is in the memory mode on a stored channel, turning this knob will cause the operating (memory) frequency to be transferred into the last selected VFO as the transceiver automatically shifts to the VFO mode. Also, when the optional FTS-8 Tone Squelch Unit is installed, the main dial can be used to select the CTCSS tone frequency.

**(9) - S + (Shift)**

This 3-position slide switch selects either simplex (center position) or plus or minus 600kHz repeater shifts when operating on a VFO or single-frequency memory. It is disabled when operating from a memory having both transmit and receive frequencies preprogrammed.

**(10) REV (Reverse TX/RX)**

During repeater operation on a VFO or single-frequency memory using standard shifts, pressing this button exchanges the transmit and receive frequencies. When reversed from normal, REV appears on the display.

**(11) LOW Switch (Low Power)**

This 2-position pushbutton switch selects LOW transmitter power output (3W, or 5W in "H" version) when in the depressed position, and high power otherwise (25W, or 45W in "H" version).

**(12) STEP**

This momentary pushbutton selects the synthesizer step size for tuning and scanning, toggling between half and full channel steps, according to model type. See the "Specifications" section for specific details, since the step sizes used depend on local standards. When changing from half to full steps, the operating frequency will change to the next-higher full step if originally on a half step.

**(13) TONE**

This momentary pushbutton selects the operating state of the optional FTS-8 Tone Squelch Unit, when installed. The possible states are CTCSS Encode only (ENC displayed), Encode/Decode (ENC DEC displayed), or CTCSS off.

**(14) T SET (Tone set)**

Pressing this button allows you to set the CTCSS tone when the FTS-8 option is installed, without activating the CTCSS system for operation. The selected CTCSS tone frequency (in Hz) will appear on the display.

**(15) PRI (Priority Function)**

When in the VFO or memory mode, pressing this button causes the transceiver to check the current (or last selected) memory channel briefly for activity every six seconds, while operating on the current (or last selected) VFO. If a signal is found, operation shifts to the memory channel. Note that the main squelch level must be set properly for the priority function to work.

**(16) MHz/MCH**

This double button allows upward (press the right side) and downward (left side) change of the selected VFO frequency in 1 MHz steps when in the VFO mode, or of the memory channel (number) in the memory mode, or of the CTCSS tone frequency when in the T SET mode (with FTS-8 option installed). Stepping will repeat automatically as long as this button is held down.

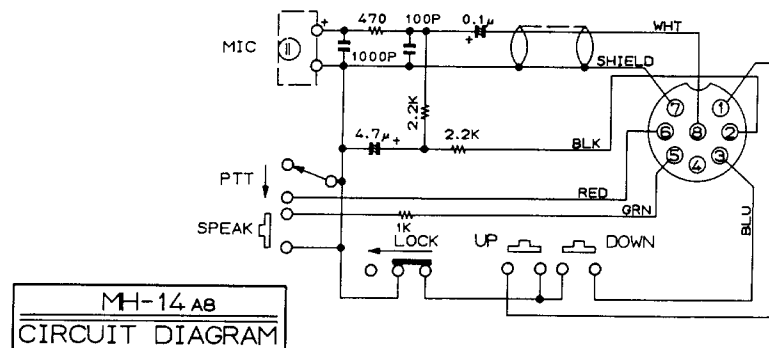
**(17) VOL SQL**

The inner VOL control is the power on/off switch for the transceiver, as well as the audio gain control. The fully counterclockwise (click-stop) position is OFF. Turn the control clockwise out of the click-stop to increase the volume.

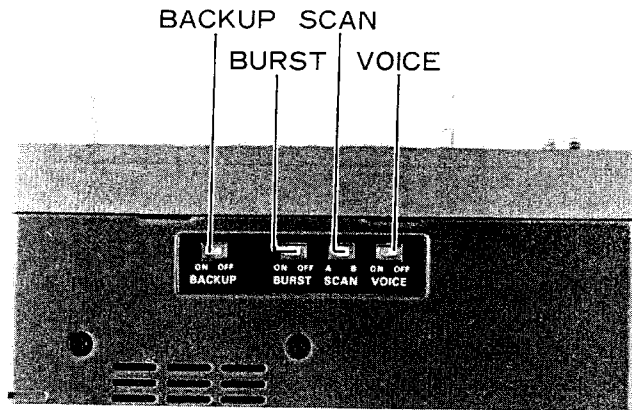
The outer SQL control sets the threshold level at which received signals will open the squelch and be passed to the audio (and automatic scan stop) stages during normal reception. Whenever the squelch is open, the green BUSY LED on the front panel will be illuminated. When the optional FTS-8 Tone Squelch Unit is installed and activated as a decoder, this control sets the threshold at which the BUSY LED will light and the scanner stop, if activated.

**(18) MIC (Microphone) Jack**

This 8-pin jack accepts microphone input, scanning control and voice synthesizer keying (when FVS-1 installed), from the microphone.



(19) Bottom Cover Slide Switches



**BACKUP**

This is the on/off switch for the memory backup lithium battery. It is set to off at the factory, and should be turned on and left on except when the transceiver is to be stored without use for a long period of time.

**BURST**

This switch enables and disables the automatic tone burst function (different from the manual tone burst function activated by **T CALL** on the front panel). The automatic function, when enabled (ON position), causes a 1/2-second burst tone (1750 or 1800Hz) to be sent automatically whenever the PTT switch is closed to start transmission. Unless this access tone is required for the repeaters in your area, this switch should be set to OFF.

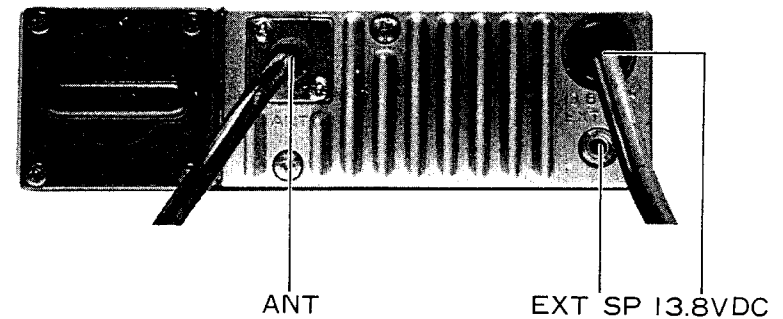
**SCAN**

The setting of this switch determines the resume function of the automatic scanner. "A" selects automatic resume scanning after six seconds, while "B" selects automatic resume after carrier drop.

**VOICE**

This switch allows selection of the method of instructing the optional FVS-1 Voice Synthesizer to "speak", when installed. When set to the OFF position, the radio will only speak when the **SPEAK** button on the microphone is pressed. When ON, the radio will speak whenever one of the (announced) operating modes or parameters is changed.

(20) Rear Panel Connectors



**13.8 VDC**

This is the 13.8 volt DC power cable. Make certain that this cable is always connected with the RED lead positive, and that the supply voltage never exceeds 15V DC. Mobile installations require that the vehicle have a negative ground electrical system. AC voltage must never be connected here.

**EXT SP (External Speaker Jack)**

If desired, an external 4- to 16-ohm speaker may be connected to this 1/8-inch 2-conductor mini phone jack. The internal speaker is disabled when this jack is used.

**ANT**

Your 2m antenna cable should be connected to this in-line jack, using a type "M" (so-called "UHF") coaxial plug.

## INSTALLATION

### Antenna Considerations

The FT-270R is designed for use with an antenna having an impedance near 50 ohms at the operating frequency. For optimum performance it is good practice to use only a high-quality, carefully designed antenna. We recommend that the antenna be connected at all times when power is on, to avoid damage that can otherwise result if transmission occurs accidentally when no antenna is connected.

Another important consideration in installing the antenna for the FT-270R is the feedline. For optimum performance use the shortest possible length of the best quality coaxial cable available, and be sure to use a properly matching fitting for the cable connector on the transceiver.

### Mobile Installation

The FT-270R must only be installed in cars having a negative ground electrical system. The transceiver should be located where the display, controls and microphone are easily accessible, and should be securely affixed using the supplied MMB-26 mobile mounting bracket. The transceiver may be installed in any position without adversely affecting its performance, but it should not be mounted near a heater vent or where it could interfere with safe operation of the vehicle. Also, if installing the FT-270RH for high power operation, make sure that plenty of space is provided at the left side and rear of the transceiver so that the forced-air cooling system can operate freely. Refer to the diagrams on the facing page for installation of the MMB-26.

- (1) Use the mounting bracket as a template for positioning the mounting holes, after determining the proper location with sufficient clearance for the transceiver. Use a 3/16" bit for drilling the holes. Secure the bracket with the screws, washers and nuts supplied, as shown in Figure 1.
- (2) Screw the mounting rings to the transceiver using the supplied spacers and flat washers as shown in Figure 2. Be sure that the rings are oriented as shown.
- (3) Referring to Figure 3, align the mounting rings with the notches in the bracket, and slide the transceiver backward and upward into the bracket until it snaps into place.

To remove the transceiver from the bracket, pull it straight forward, with slight upward pressure at the rear, if necessary.

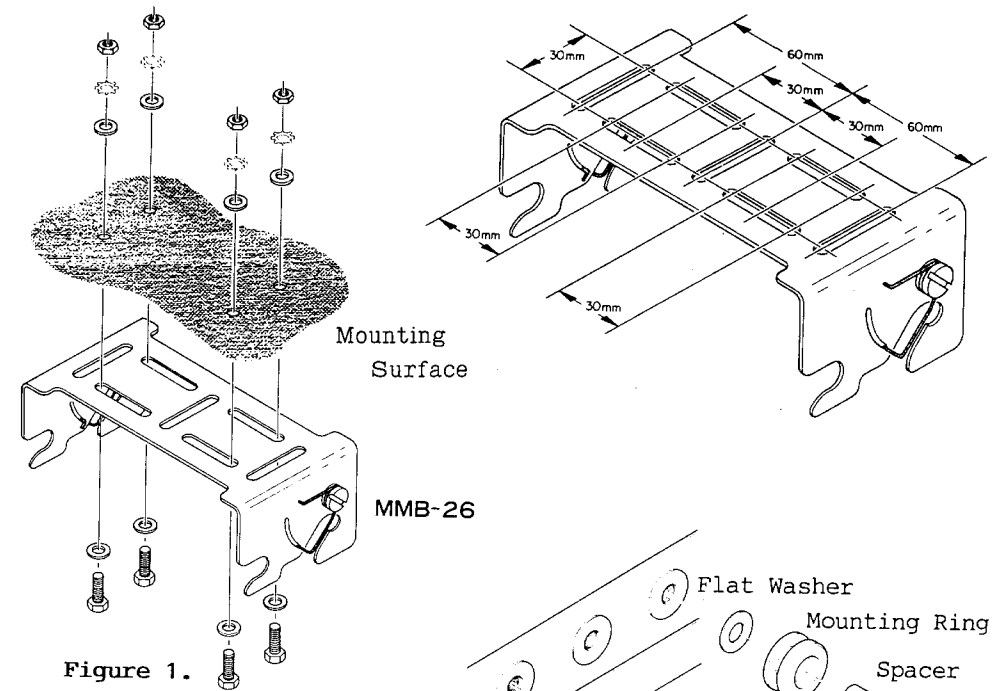


Figure 1.

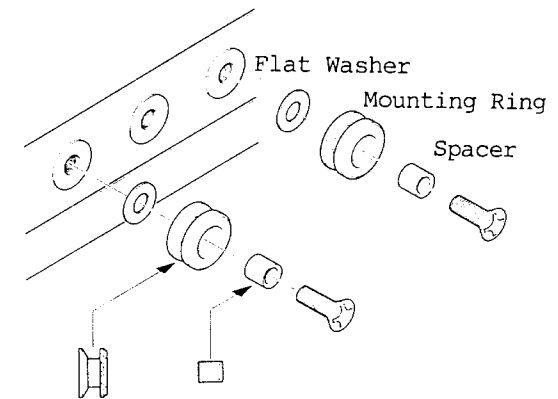


Figure 2.

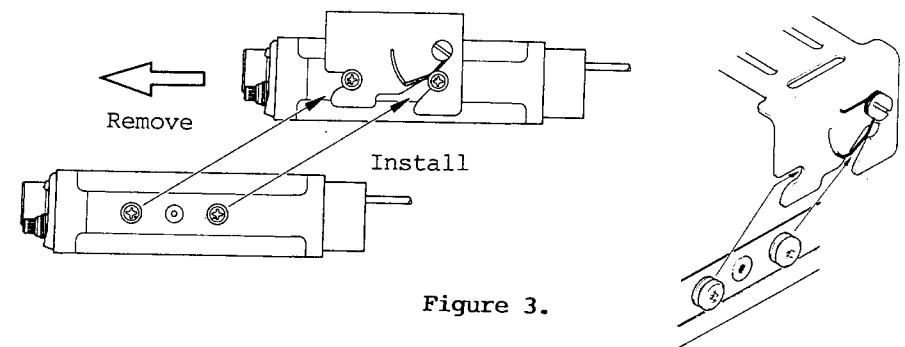


Figure 3.

Before connecting the power cable the maximum battery charging voltage should be checked to ensure that it remains below 15V when the engine is run fast. If more than 15V, the voltage regulator of the car should be adjusted before connecting the transceiver.

Power connections should be made directly to the automobile battery, using the supplied cable with 5A (FT-270R) or 10A (-RH) inline fuses. Connection to the cigarette lighter or other accessory circuit may cause the fuse to blow in that circuit. Connecting the supplied DC power cable to the battery independently of the rest of the automobile electrical system will minimize possible ignition noise pickup and excessive supply voltage drop during transmission.

Do not connect any power to the transceiver except via the supplied fused cable, and do not attempt to defeat or bypass the fuses - they are there to protect you and the equipment.

Connect the RED lead of the power cable to the POSITIVE (+) battery terminal, and the BLACK lead to the NEGATIVE (-) terminal. If it is necessary to extend the power cable, use #16 AWG or larger insulated, stranded copper wire, and in all cases use the minimum power cable length practicable to keep voltage drop minimal.

#### WARNING

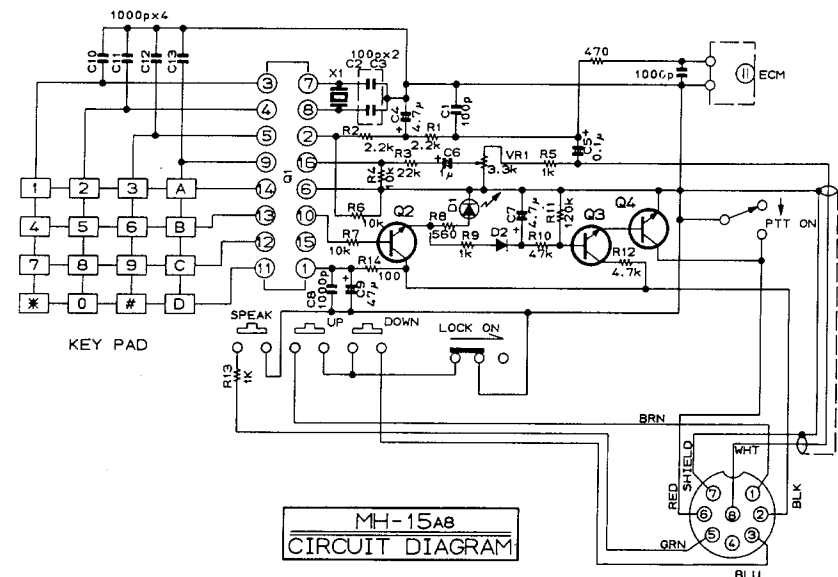
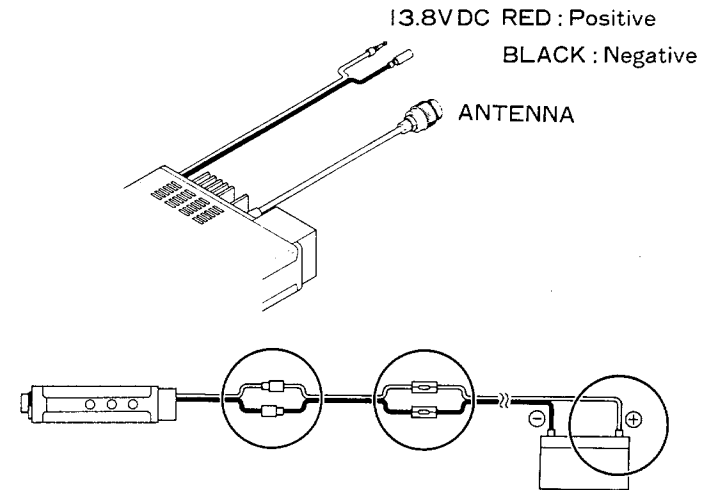
**NEVER APPLY AC POWER TO THE REAR PANEL POWER JACK OF THE TRANSCEIVER. NEVER CONNECT DC VOLTAGE OF MORE THAN 15 VOLTS TO THE POWER JACK. ALWAYS REPLACE FUSES WITH THE PROPER RATING (5A for FT-270R, or 10A for FT-270RH). FAILURE TO OBSERVE THESE PRECAUTIONS WILL VOID THE WARRANTY.**

Connect the power cable to the short pigtailed on the back of the transceiver; red-to-red and black-to-black.

The SP-55 External Speaker is an optional accessory for the FT-270R, allowing the source of audio from the transceiver to be repositioned for optimum hearing. Especially practical for the noisy mobile environment, the SP-55 includes its own swivel-type mounting bracket, and is available from your Yaesu dealer. Also available to enhance safety and mobile operating convenience are the YH-1 Headset with miniature boom microphone, and the full size MF-1A3B boom microphone with flexible arm (both of which use the SB-10 PTT switch).

#### Base Station Installation

A base station mounting stand is supplied with your transceiver, to provide easy viewing of the display, and clearance for the internal speaker. A power supply capable of providing at least 9A continuously at 13.8VDC is required for operation from the AC line. The FP-700 AC power supply is available from your Yaesu dealer for this purpose. Use the fused DC power cable supplied with the transceiver for making power connections.

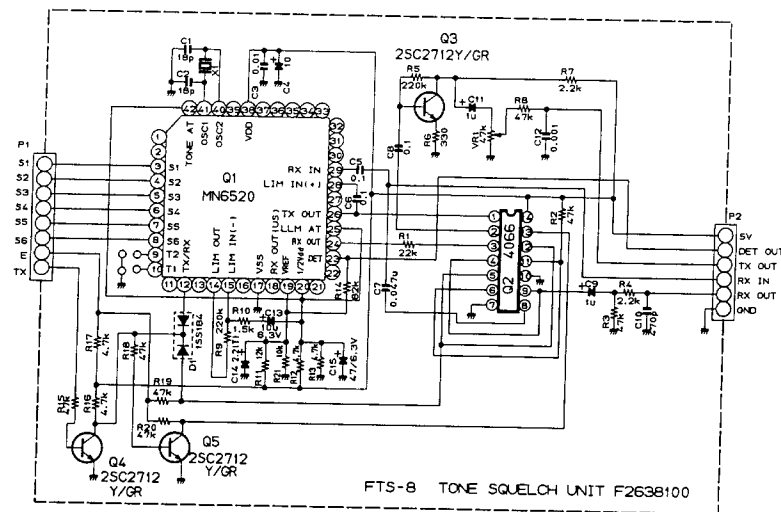
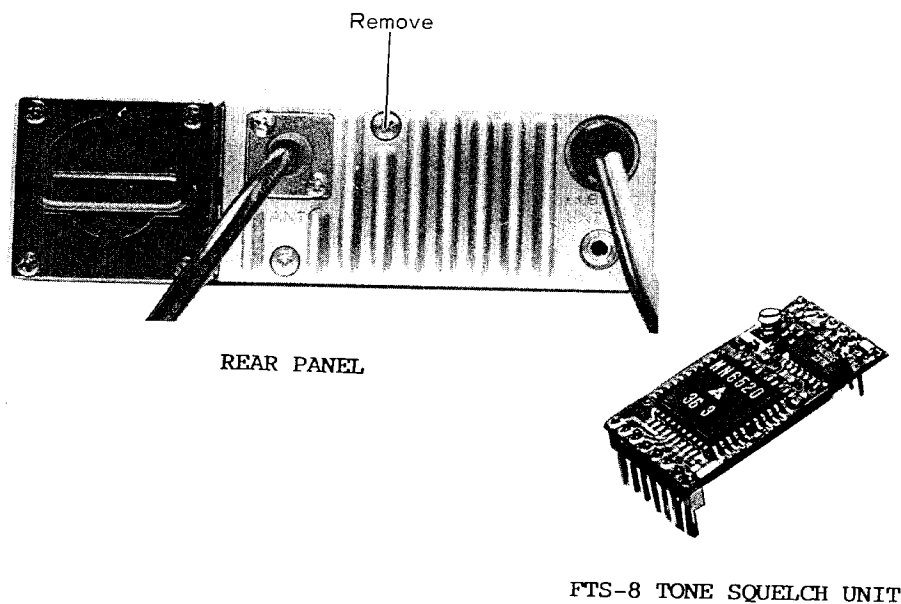
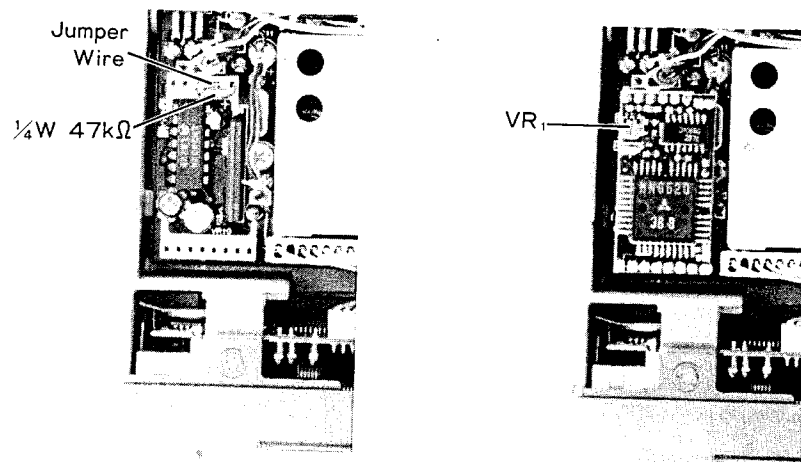




## FTS-8 TONE SQUELCH UNIT INSTALLATION

The FTS-8 provides either encode-only or encode/decode operation with 37 front panel selectable subaudible CTCSS tones, and is available for all versions FT-270R, from your local Yaesu dealer. See the "Operation" section for functional details.

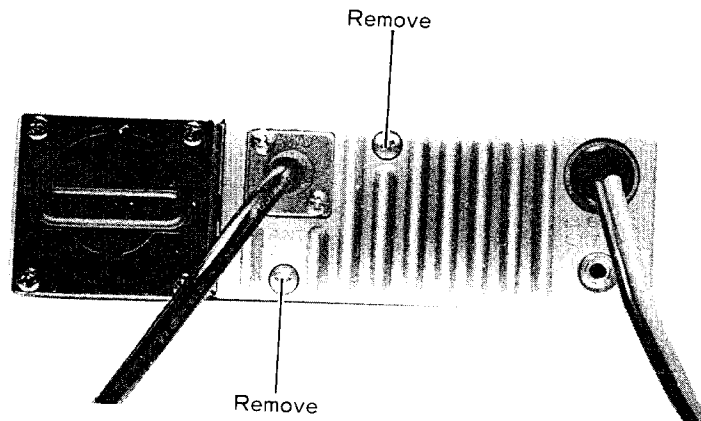
1. Disconnect the power cable at the rear of the transceiver, and remove the rear panel screw affixing the top cover. Remove the cover by lifting the back slightly before sliding it back and then lifting it away.
2. Locate the two white connectors on the Main Board just behind the tuning knob, and remove the 1/4W, 47K resistor and jumper wire from the rear-most connector.
3. Position the FTS-8 so that the connecting pins are aligned with their mating connectors as shown in the photo on the facing page, and gently press the FTS-8 into place.
4. If the FVS-1 Speech Synthesizer Unit is also to be installed now, proceed to step 2 on page 16, otherwise, replace the top cover in the reverse manner from which it was removed. The output tone level (VR1) on the FTS-8) is adjusted at the factory for the proper deviation, so no adjustment should be necessary.



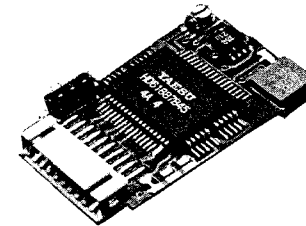
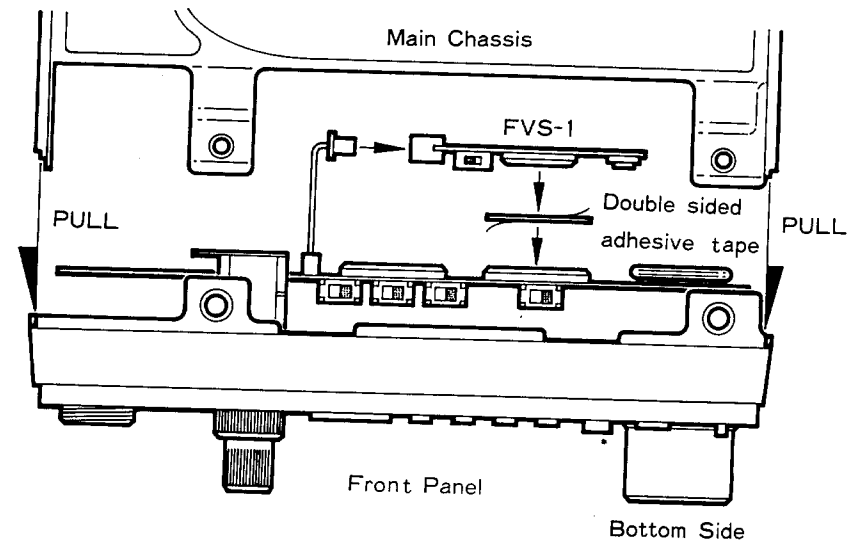
## FVS-1 VOICE SYNTHESIZER INSTALLATION

The FVS-1 provides automatic and/or manually actuated synthesized voice readout of VFO or memory frequency, or tone squelch frequency if the FTS-8 is installed. See the "Operation" section for details.

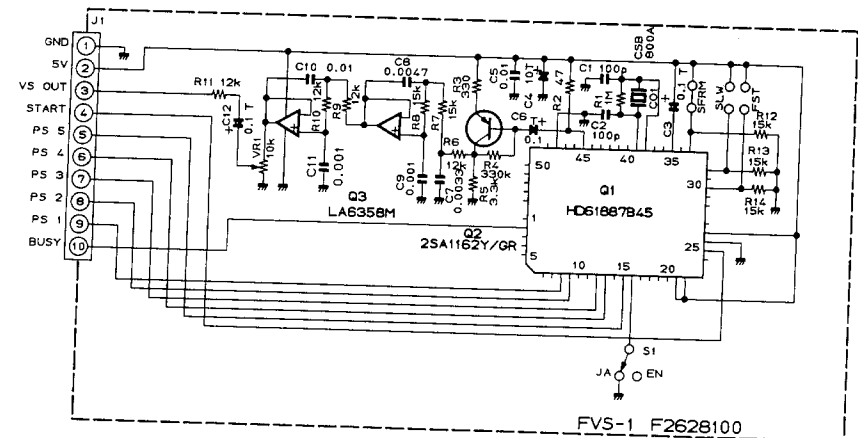
1. Disconnect the power cable at the rear of the transceiver, and remove the rear panel screw affixing the top cover. Remove the cover by lifting the rear slightly and sliding it back before lifting it away.
2. Remove the screw on the rear panel affixing the bottom cover. Lift the cover away slowly, using care not to pull on the speaker wires.
3. Remove the four screws affixing the front panel at the top and bottom of the set, and then pull the front panel away slightly so as to permit access to the cpu circuit board on the inside of the front panel.
4. Locate the (unconnected) miniature 10-pin connector in the space between the front panel subchassis and the main chassis, and carefully mate this connector to its counterpart on the FVS-1. Use the supplied double-sided adhesive tape to affix the flat surface of the IC on the FVS-1 to the flat surface of the cpu in the transceiver, as shown on the facing page.
5. Replace front panel screws, and the top cover in the reverse manner from which it was removed. Then replace the bottom cover and its screw, using care to ensure that the speaker leads are secure on the speaker, and that no wires are pinched between the covers. The output level (VR1 on the FVS-1) is aligned at the factory, so no further adjustment is necessary.



- 16 -



FVS-1 VOICE SYNTHESIZER UNIT



- 17 -

## OPERATION

Please read this section carefully to gain an understanding of the functions of each control and switch. Your enjoyment and efficient operation of this transceiver depend on a clear understanding of how the various controls and switches work together for optimum performance.

Before proceeding, be certain that a proper antenna for the 2m band is connected to the antenna connector, and that a DC supply of the proper voltage (13.8V DC, negative ground) is connected to the power cable, RED positive.

Preset these controls and switches as follows:

**VOL** . . . . fully counterclockwise into the click-stop (off)  
**SQL** . . . . fully counterclockwise  
**LOW** . . . . depressed position  
**- S +** . . . center "S" position  
**BACKUP** . . (bottom cover) OFF

### Initializing and Basic Checkout

- (1) Rotate the **VOL** control clockwise out of the click-stop. The panel lamps should come on and the **BUSY** and **ON AIR** lamps will blink before frequency data appears on the display. Advance the **VOL** control for a comfortable level of noise or signal from the speaker.
- (2) Now set the **BACKUP** switch on the bottom cover to the **ON** position. Switching on the power when the **BACKUP** switch is off resets the cpu, and switching on the backup allows all operating data to be retained in memory until the backup switch is again turned off.
- (3) Rotate the dial to an unoccupied channel, if necessary, and then rotate the **SQL** control clockwise until the noise just disappears and the **BUSY** lamp turns off. This is the point of maximum squelch sensitivity, where the **SQL** control should be kept for all except special situations where reduced sensitivity is required (such as when awaiting a call from a strong local station). The **BUSY** lamp will be lit whenever the main squelch is open.
- (4) Press either side of the **MHz/MCH** button to change frequency in 1 MHz steps. When the end of the band is reached, the kHz digits will be cancelled, and then the VFO frequency will automatically jump to the far end of the band.
- (5) Rotate the dial to observe channel selection. Now press the **STEP** button and turn the dial again to observe the

half-step tuning function. Note that the **UP** and **DWN** scanning buttons on the microphone, if pressed only momentarily, can also be used to single-step the frequency by the selected step size. Set the transceiver to a (simplex) frequency on which you wish to transmit.

- (6) Press the **PTT** (Push-To-Talk) switch on the microphone to transmit. The **ON AIR** lamp will light, and you can then speak into the microphone (using a normal voice). Never transmit without having a proper antenna or dummy load connected to the antenna connector. Be certain to always follow this precaution to avoid damage to the transceiver.
- (7) If high power operation is necessary for communication, set the **LOW** switch to the undepressed position. However, it is best to use low power whenever possible, to minimize current drain, heating and potential interference to others. This is easy to do if you just develop the habit of always keeping the **LOW** switch depressed, and just release it for the rare situations where full power is really needed.

### General Operating Features

#### (1) VFO Selection

The two VFOs in the FT-270R are labelled "A" and "B", one of which is indicated just to the lower left of the frequency on the display whenever the transceiver is in the VFO mode. The frequency of the displayed VFO can be selected and changed by the **MHz/MCH** button and the main knob or scanning buttons on the microphone. The displayed VFO frequency can also be stored in a memory, as described later.

Each VFO is independent of the other; that is, changing the frequency of one will not affect the frequency of the other.

When the transceiver is in the memory mode, press the **VFO** button to change to the VFO mode. Operation will be on whichever VFO (A or B) was last selected, but if the same button is pressed again, operation will shift to the other VFO.

#### (2) Frequency Selection

Frequency selection can only be performed in the VFO mode (either A or B). If moving to a frequency far (>500kHz) from that presently selected, use the **MHz/MCH** button to select the 1 MHz digit nearest to the desired frequency. If moving more than 1 or 2 MHz, just hold this button for repeated stepping.

Now rotate the dial knob or press and hold the **UP** or **DWN** button on the microphone to select the desired frequency (if the microphone buttons are used, press the button again to stop). Depending on the model version of your transceiver and the setting of the **STEP** switch, tuning steps will be either 5 or 10kHz, or 12.5 or 25kHz. When using the microphone scanning buttons for tuning, a momentary press of the **UP** or **DWN** button will tune up or down a single step (the same as one click of the dial knob). Scan tuning can be stopped by one press of the **PTT** switch; transmission will not occur unless the switch is released and pressed again.

### (3) Single-Frequency Memory Storage

The FT-270R has ten memory channels, numbered 1 through 9 and 0, all of which can be used for storing frequencies directly from the VFOs. However, memories 1 through 8 can also be used to store transmit and receive frequencies independently for split-frequency operation, such as for repeaters, while memories 9 and 0 have a special application in the PMS system described later.

Before storing a frequency in memory, it must be selected on VFO A or B as described in the preceding section.

First, press the **M** button once. This activates the memory status checking mode for six seconds, which does nothing more than show you (on the display) the status of all of the memories (reception on the selected VFO is not affected, although transmission, tuning and some other buttons are disabled during this time). The status indicators are a blinking **M** at the left just below the frequency display, indicating the memory status mode; followed by one or more channel numbers in small black squares, one of which will also be blinking. The blinking channel is the one that is the currently "selected" one, i.e., the channel that was last selected and which will be the one to be stored by the following steps. The presence (or absence) of other channel numbers simply indicates whether they are currently holding data, or not.

Initially, before any memories have been stored, only a blinking 1 will appear, signifying that memory 1 is selected (by default) for storing, and that all other memories are vacant. The selected "blinking" memory may be changed (at any time) while in the memory status mode, using the **MHz/MCH** button. If no other buttons are pressed within the six-second memory status check, that mode will cancel and everything will return to its previous state (in the VFO mode).

If the **M** button is pressed again while still in the status mode, the displayed frequency will be memorized in the

(blinking) channel and the status info will disappear from the display. At this point operation is still in the original VFO mode. To recall the memory, just press the **MR** button.

When only the receiving frequency is stored in a memory, as just described, repeater operation is possible for repeaters with standard shifts (as with each of the VFOs), by setting the **- S +** switch to the appropriate **-** or **+** position. This method of operation has the advantage of the **REVERSE** capability; allowing exchange of the receive and transmit frequencies with the **REV** button. Memories 9 and 0 are limited to this type of repeater operation, or simplex.

To store additional memories, press the **M** button to enter the memory status mode (from the VFO mode), and then press the **MHz/MCH** button to select the next memory for storing (the new channel number will blink).

### (4) Storage of Transmit Frequencies

As mentioned earlier, memories 1 through 8 have the capability of storing a transmit frequency in addition to the receive frequency. These memories thus allow the required data for all kinds of repeaters to be recalled instantly, without the need to select shift direction or any particular split. However, remember that the **- S +** switch and **REV** button will be disabled during operation on a memory that has both receive and transmit frequencies stored.

To store an independent transmit frequency, press the **VFO** button to return to the VFO mode, and retune the VFO to the desired transmit frequency. Now make sure that the **- S +** switch is set to the center. Press the **M** button once, and then press and hold the **PTT** switch while pressing the **M** button again. Of course, if you want to store standard repeater shifts, it is not necessary to retune the VFO after the receive frequency has been stored: instead, just set the **- S +** switch as required before storing the transmit frequency.

While it is possible to store either the receive or transmit frequency first, it is best to store the receive frequency first, since it is not possible to recall, display or use a memory that has only the transmit frequency stored.

### (5) Memory Erasure

If you make a mistake in programming a memory channel, or no longer need that channel data, you can simply overwrite it with new data. However, in cases where a separate receive/transmit memory is to be replaced with simplex data, it is too easy to forget to change the transmit frequency, which can result in unexpected transmission on the wrong frequency. Thus the following memory erasing procedure is recommended for use whenever a memory is to be changed.

To erase the selected memory (from the VFO mode), press **M** to enter the memory status mode, and then press the **MR** button. The selected memory will be cleared, but remain selected for immediate reprogramming, if desired. It is a good idea to keep unneeded memories clear so that memory checking and channel scanning are simplified.

#### (6) Memory Selection and Recall

To recall a memory channel when operating in the VFO mode, press the **MR** button. An **M** should be displayed at the left and just below the channel frequency, with the channel number under the frequency. If the channel number is blinking and no frequency is displayed, the memory is vacant.

To select a different memory channel (that has already been stored) for operation, press the **MHz/MCH** button (and hold it for multi-stepping). The memory channel (**M CH**) function of this button is automatically selected when in the memory mode. The **UP** and **DWN** buttons on the microphone can also be used for memory channel selection, but with an additional feature described in part (8) below.

Be careful to note the setting of the **- S +** switch if you transmit after moving from one memory to another, since it will shift the transmit frequency of memories that do not have both receive and transmit frequencies already stored.

#### (7) Frequency Scanning with a VFO

If either the **UP** or **DWN** button on the microphone is pressed and held for 1/2-second while the transceiver is in the VFO mode, scanning will commence. Once started, scanning will continue automatically, if no other buttons are pressed, for as long as the main squelch (as set by the **SQL** control) does not open, looping around at the band edges to remain in the same band. Scanning steps are the same as the tuning steps set by the **STEP** button, and can be reset while scanning. Pressing any front panel button except **LOW**, **MR**, **VFO** or **TCALL** will temporarily halt the scanner while it is pressed. The **LOW** button will not affect the scanner, and the other three buttons will cancel scanning and initiate their respective functions.

Whenever the main squelch is opened by a signal (assuming the **SQL** control has been set properly), the scanner will halt temporarily. If the **SCAN** switch on the bottom cover is set to the "A" position, scanning will resume automatically after about six seconds (regardless of activity on the frequency). If the **SCAN** switch is set to the "B" position, scanning will not resume until about two seconds after the received carrier drops, unless another signal appears in that time. While the scanner is halted temporarily the **MHz** decimal in the frequency display will blink.

Of course the scanner can be manually stopped at any time by pressing either the **UP** or **DWN** button momentarily, or the **PTT** switch. If the **PTT** switch is used to stop the scanner the transceiver will not transmit until the switch is released and pressed again. When the scanner is stopped manually it is necessary to press and hold the **UP** or **DWN** button for 1/2-second to restart the scanner.

#### NOTE

THE TRANSCEIVER MUST BE SWITCHED OFF WHEN CHANGING SCAN RESUME MODES WITH THE **SCAN A/B** SWITCH ON THE BOTTOM COVER.

#### (8) Memory Scanning

When in the memory mode, the scanning functions just described will act on the programmed memory channels only, instead of the whole band. If you have some frequencies stored in memory that you do not want to include in memory scanning (for example, if they are too busy, or stored for use only in special situations), they can be masked from the scanner without erasing.

To mask a memory from scanning, just recall the memory, and press **M**. The channel number beneath the displayed frequency should now start to blink, and any time this channel is recalled for operation the channel number will be blinking, as a reminder that it is masked from memory scanning. Whenever memory scanning is activated, masked channel(s) will be skipped over just as though they were not there.

Note that masked memories can only be selected for operation by the **MHz/MCH** button, while the microphone **UP** and **DWN** buttons can be used to select only unmasked (and non-vacant) memories. This can be used to advantage for easily checking which channels are included in memory scanning.

To unmask a previously masked channel recall the memory and press **M** once again while on the memory channel. The channel number should stop blinking.

**(9) Programmable Memory Scan (PMS)**

The frequencies stored in memories 9 and 0 serve as the scanning limits for limited band scanning when the PMS function is activated. This function is useful for limiting scanning to only the FM portion of the band, for example.

It is generally best to store the lower frequency in memory 9, for reasons that will become obvious. After storing the desired limits in the memory channels, press the **PMS** button to activate the function. **PMS** will appear at the left of the display, and the displayed frequency will be that stored in memory 9 (or 0). Press the **UP** button on the microphone to scan to the frequency stored in memory 0, at which time the scanner will jump to memory 9 and continue (until halted in the usual manner described in part (8) above). Notice that if the frequency in memory 0 is lower than that in memory 9, the scanner will loop from the top of the band to the bottom and continue scanning outside of the range between memories 9 and 0 (unless, of course, the **DWN** button is used to start the scan).

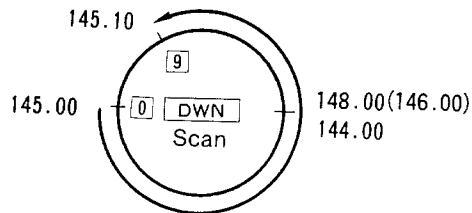
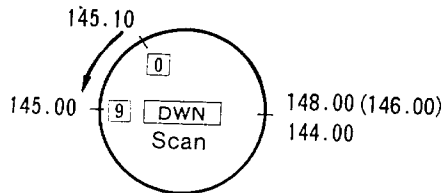
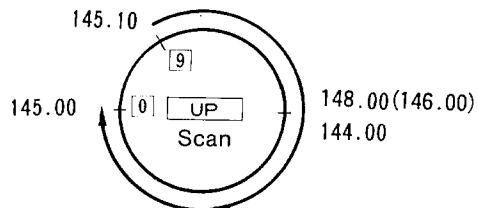
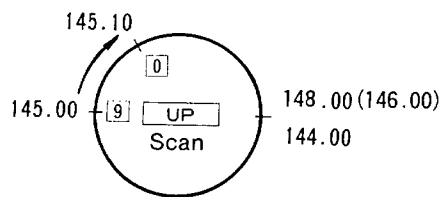
Press the **MR** or **VFO** button, as desired, to cancel the PMS function.

[9] lower frequency 145.00MHz

[9] upper frequency 145.10MHz

[0] upper frequency 145.10MHz

[0] lower frequency 145.00MHz



**(10) Priority Channel Monitoring**

During operation on a VFO it is possible to monitor the (previously selected) memory channel for activity. For example, if you are waiting for a call on a simplex frequency while operating elsewhere on the band (or even on the alternate band), the priority feature lets the expected call break in immediately when you are receiving on the other frequency.

To set up priority channel operation, first select the desired priority channel from among the stored memories, using the **MR** and **MHz/MCH** buttons. Then press the **PRI** button. **PRI** will appear at the lower center of the display, and the (last selected) VFO frequency will be displayed. You may now go ahead and operate with that VFO in any way you like: every six seconds the display (and receiver) will shift to the memory frequency briefly (about 300ms) to check for activity, and then return if no activity (to open the main squelch) is found.

If a signal strong enough to open the squelch appears on the priority (memory) frequency when it is being checked, operation will jump to the priority frequency and priority operation cease. At that time you can respond to the calling station, and if necessary, have him wait while you press the **VFO** button to return to the VFO frequency, to announce that you have QSYed. Then press **MR** to return to the memory.

Note that if the **- S +** button is set for plus or minus repeater shift on any of the frequencies used for the above operation, it may be necessary to change its position when changing frequencies (unless both receive and transmit frequencies are stored in the memory used for priority checking, even if simplex).

It is possible to combine manual band- or PMS scanning with priority monitoring, though the auto-scan features are then dedicated to the priority function. For band scanning, just activate the **PRI** button first, and then use the microphone **UP** and **DWN** buttons, holding the button down to scan, and releasing to halt. For PMS/priority scanning, the **PMS** button must be pressed first, followed by the **PRI** button and then the microphone **UP/DWN** buttons.

(12) Voice Synthesizer FVS-1 (Option)

When the optional FVS-1 Unit is installed, operating frequency, VFO or memory indication and CTCSS tone frequency (if used) are indicated by a female voice in English, each time one of these is changed (or the **SPEAK** button on the microphone pressed). This feature allows easy and safe operation without looking at the transceiver, such as while driving, or for visually handicapped operators.

The voice synthesizer is activated all the time when it is installed. However, when the **VOICE** switch on the bottom cover is set to OFF, the it will only speak when the **SPEAK** button on the microphone is pressed. When the **VOICE** switch is ON, the radio will let you know whenever the VFO, memory or tone modes are reselected, or frequency changed. Press the **SPEAK** button on the microphone and adjust the VOL control for a comfortable volume level of the synthesized voice. In the VFO mode, the first word will be "VFO", followed by "A" or "B", and then frequency. The format for frequency announcements is "v" (for VHF) followed by the 1MHz digit, "point" (decimal), and the kHz digits. For example, "V five point seven seven zero" indicates (14)5.770 MHz. In the memory mode, the first word will be "memory", followed by the frequency in the same manner as above. In the T SET mode, the first word is "tone", followed by the selected CTCSS tone frequency in Hz.

### MEMORY BACKUP INFORMATION

If the FT-270R is exposed to high voltage "static" discharge the microprocessor circuitry in the transceiver may shut itself down. If this happens it may be impossible to change frequency or perform normal operation.

Before seeking repairs, you can use the built-in reset system for the microprocessor, provided for such circumstances. First turn the VOL control OFF, and set the bottom cover **BACKUP** switch to OFF. Then turn on the VOL control, and set the **BACKUP** switch back to ON. Normal operation should now return, although all previously stored memory data will have been erased. If this does not cure the problem contact the dealer from whom you purchased your transceiver for service assistance.

# FT-270R/RH OPERATING MANUAL



**YAESU MUSEN CO., LTD.**  
**C.P.O. BOX 1500**  
**TOKYO, JAPAN**